

Service Box **SS60 EC**

SS60 EC floor box consists of stainless steel mounting lid and galvanized steel base tray, with 2 compartments, for finish floor height 60 mm (SS60).

The systems

Sockets: 4 sockets for 4 plugs. 16A, 250 V

overall dimension: 252 mm X 220 mm

Height: 60 mm (access floor minimum finish height)

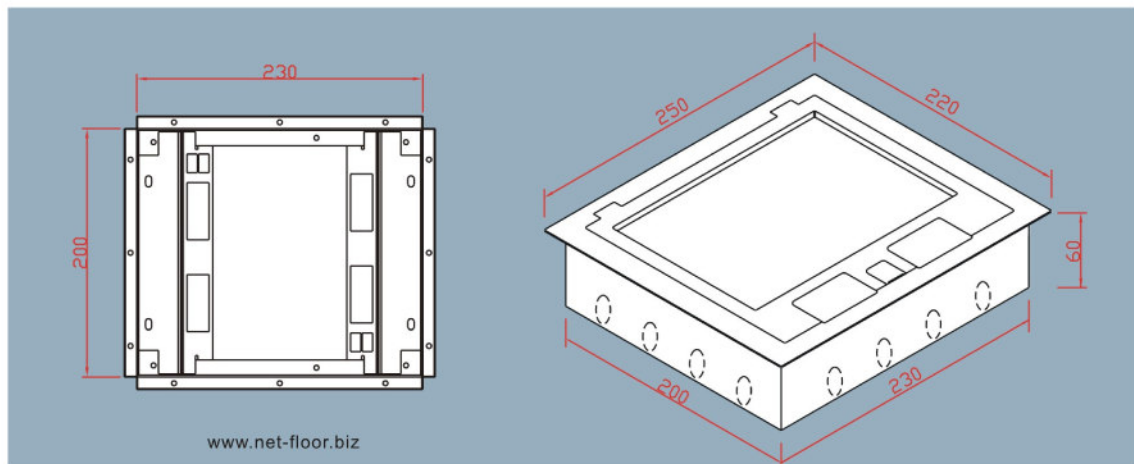
Mounting lid: stainless steel tray, middle with recess 6.5 mm for topping by carpet tile.

Box base: size 230 mm X 200 mm

Box base and compartments for sockets and data jack: made of galvanized steel by powder coating.

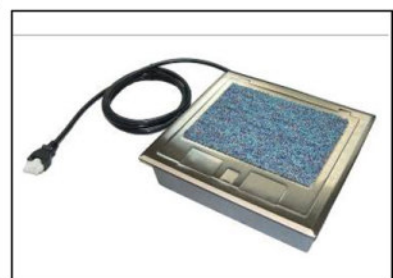


SS60 EC dimensions details



** access panel cut out: 232 mm X 202 mm

** carpet tile cut size for topping floor box: 186 mm X 129 mm



Plug type



French



German